

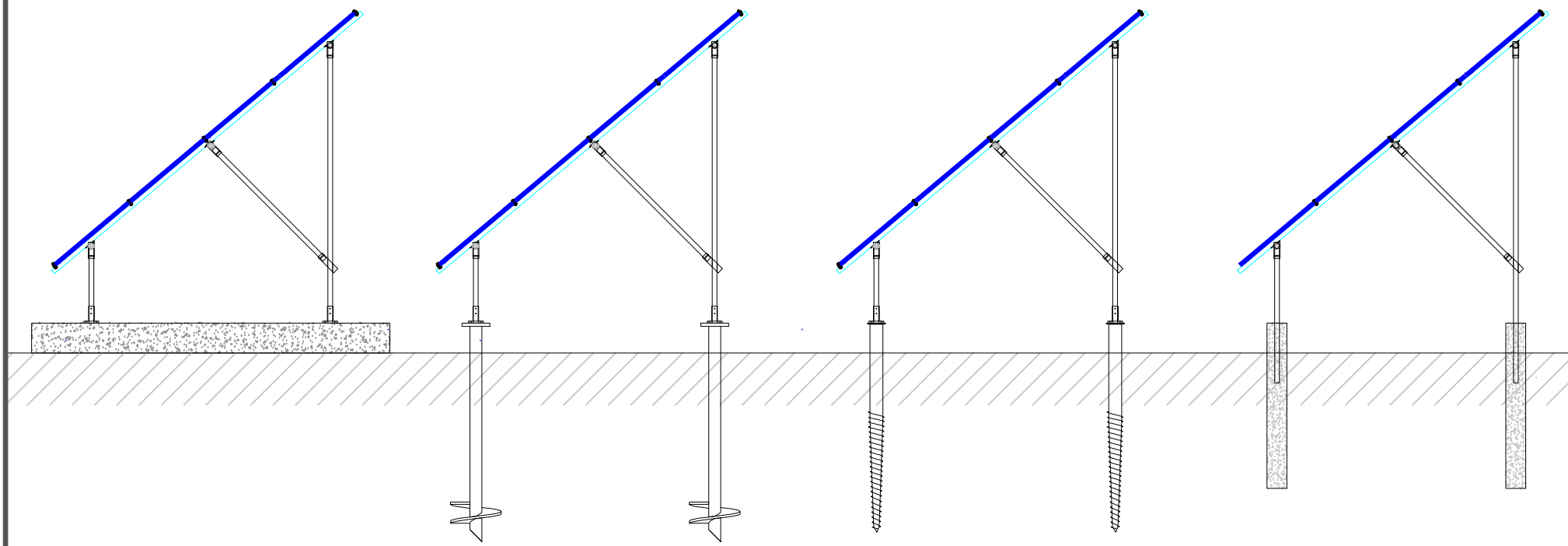
△									
REV	DATE	DES		REVISION DESCRIPTION		CADD	CHK	RVW	

CONCRETE BALLAST

HELICAL/SCREW PILES

GROUND SCREWS

SONOTUBE



SIDE VIEW



PROJECT
Standard Ground Mount

TITLE
Foundation Support Options

DESIGN	XXX	29/06/2016	FILE No.	001
CADD	XXX	29/06/2016	SCALE	1:50
REVIEW			REV.	0
PROJECT No.				

DRAWING: MUSTAFA NAZARI