



## Washer, Electrical Equipment Bond

# WEEB

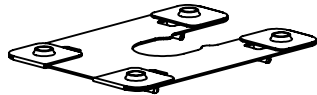
Patent Pending

## INSTALLATION INSTRUCTIONS

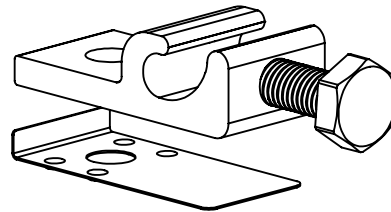
### *For Kinetic Solar K-Rack only*

Please read carefully before installing.

Wiley Electronics recommends that the sufficient details of the installation be submitted to the AHJ for approval before any work is started.



WEEB-KSR



WEEB-Lug 6.7

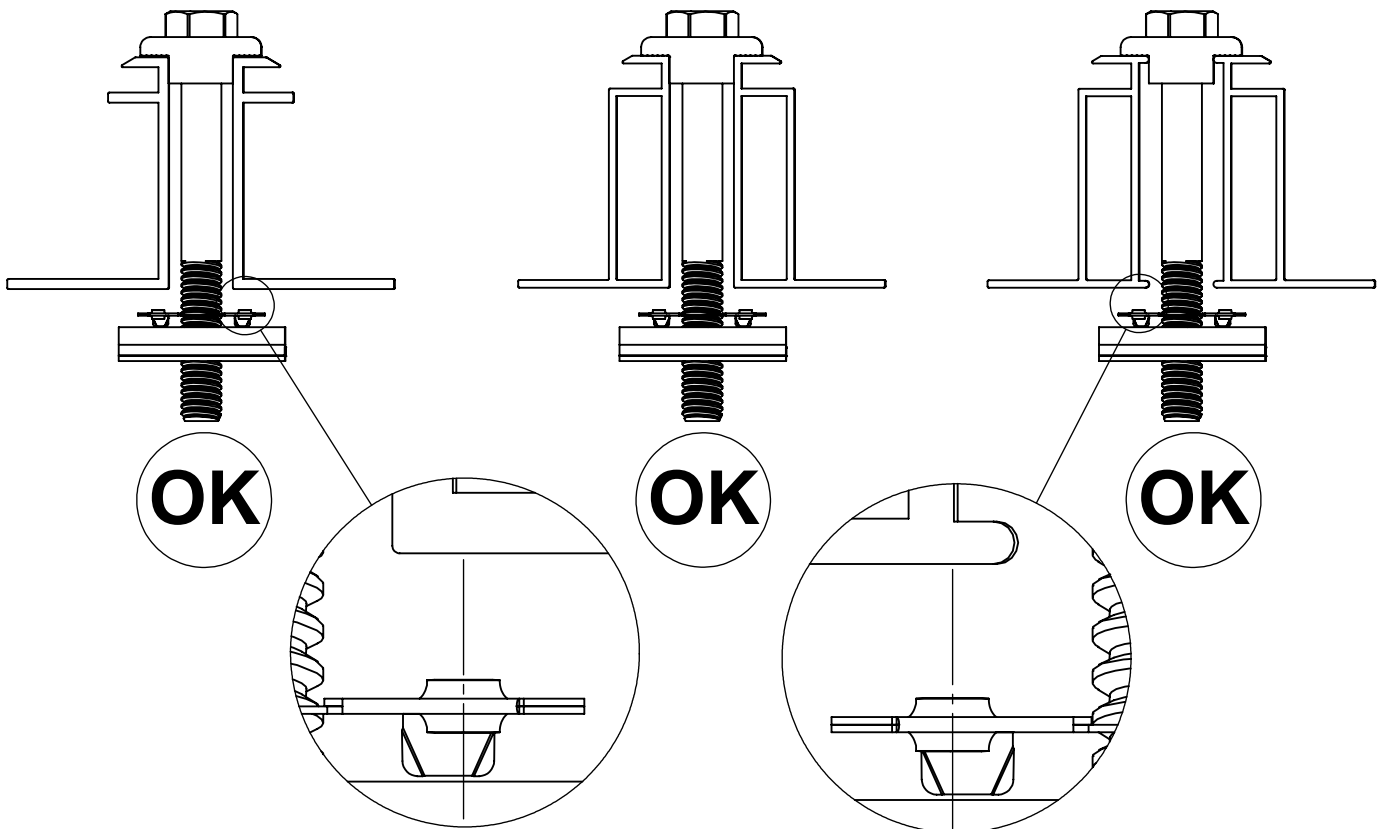
Products are tested to UL 467, CAN/CSA-C22.2 No. 41  
US/Canadian standards for safety grounding and bonding equipment

# WEEB COMPATIBILITY

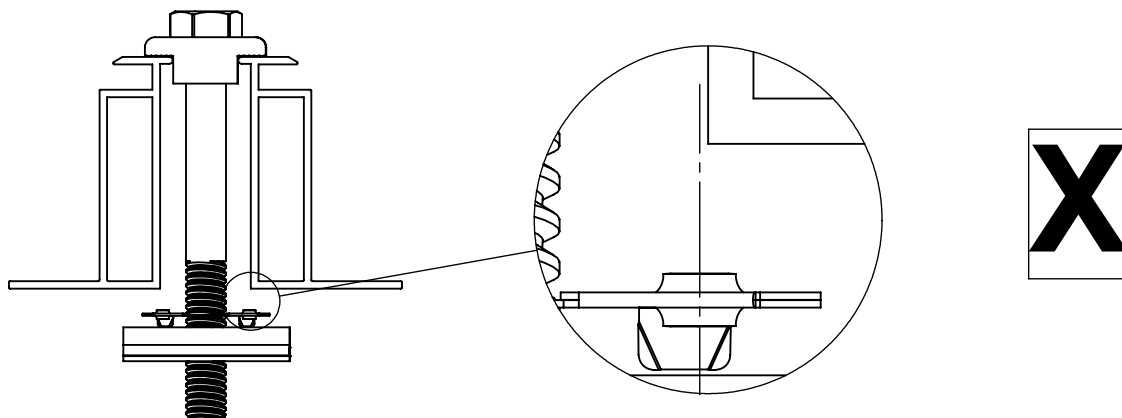
The WEEB family of products can be used to bond anodized aluminum, galvanized steel, steel and other electrically conductive metal structures. All installations shall be in accordance with NEC requirements in the USA and with CSA C22.1 in Canada. The WEEBs are for use with modules that have a maximum series fuse rating of less than 25A.

## Standard Top Down Clamps

The WEEBs used for bonding the PV modules to the mounting rails are compatible with various cross-sections of module frames. The following are examples of module frames that are compatible. Notice that the WEEB teeth are positioned completely under the edge of the module frame.

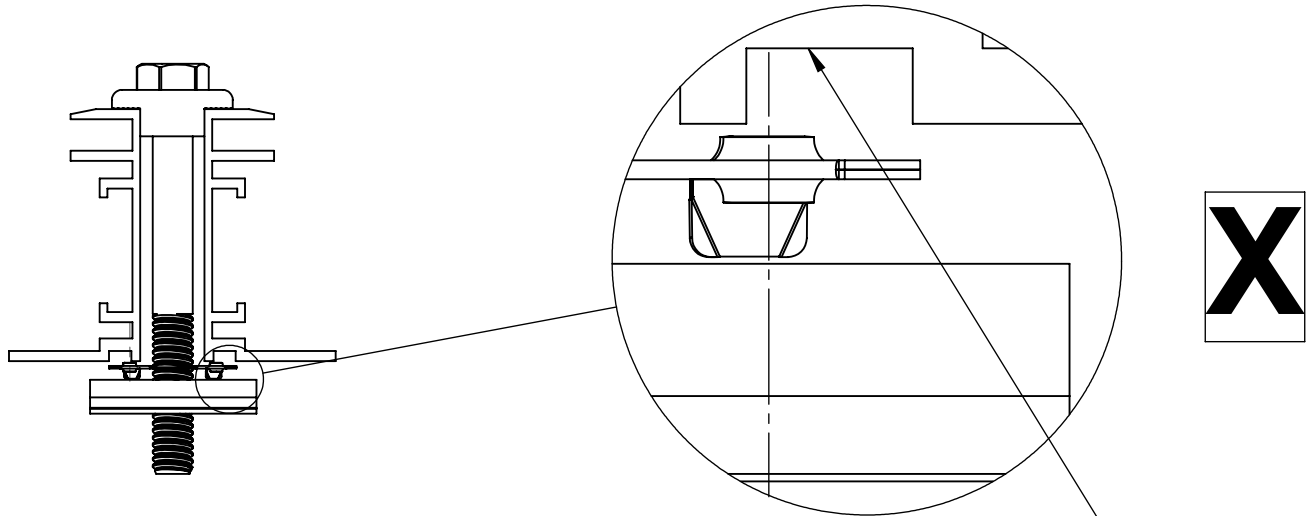


The following is an example of a module frame that is incompatible with the WEEB. The WEEB teeth are positioned only partially under the edge of the module due to the lip on the top edge of the module frame.

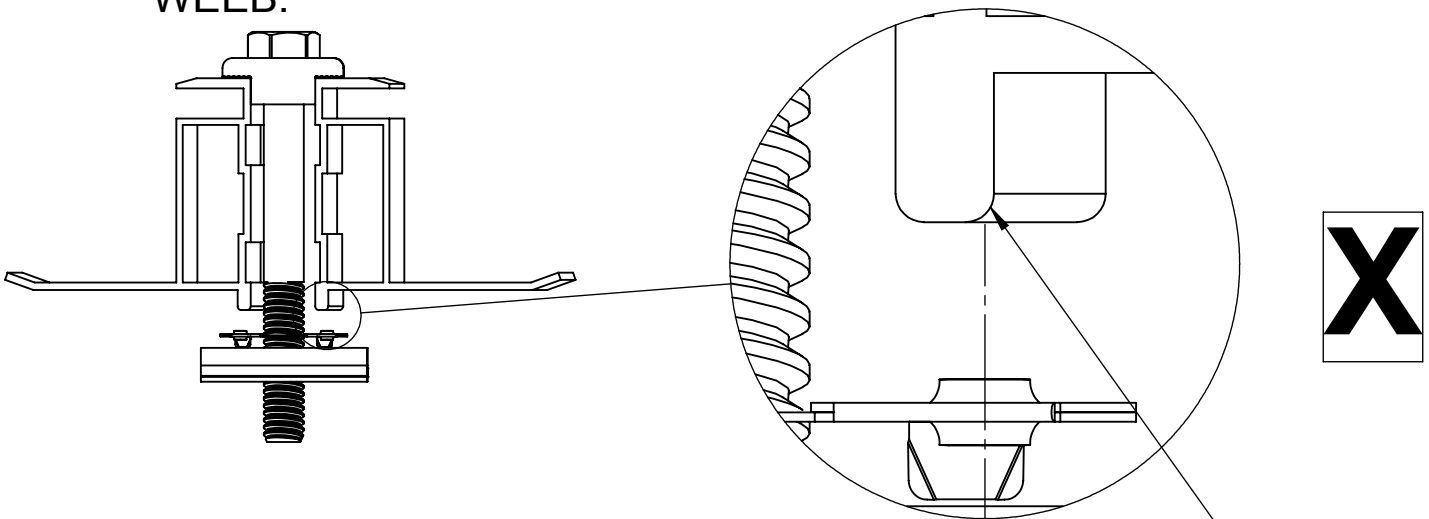


# WEEB COMPATIBILITY

Module frames like those shown here may have a ridge or lip on the bottom edge of the frame that would prevent the WEEB teeth from fully embedding.



Shown here is an example of a groove that will prevent the WEEB teeth from properly penetrating the module frame. This type of frame is not compatible with the WEEB.



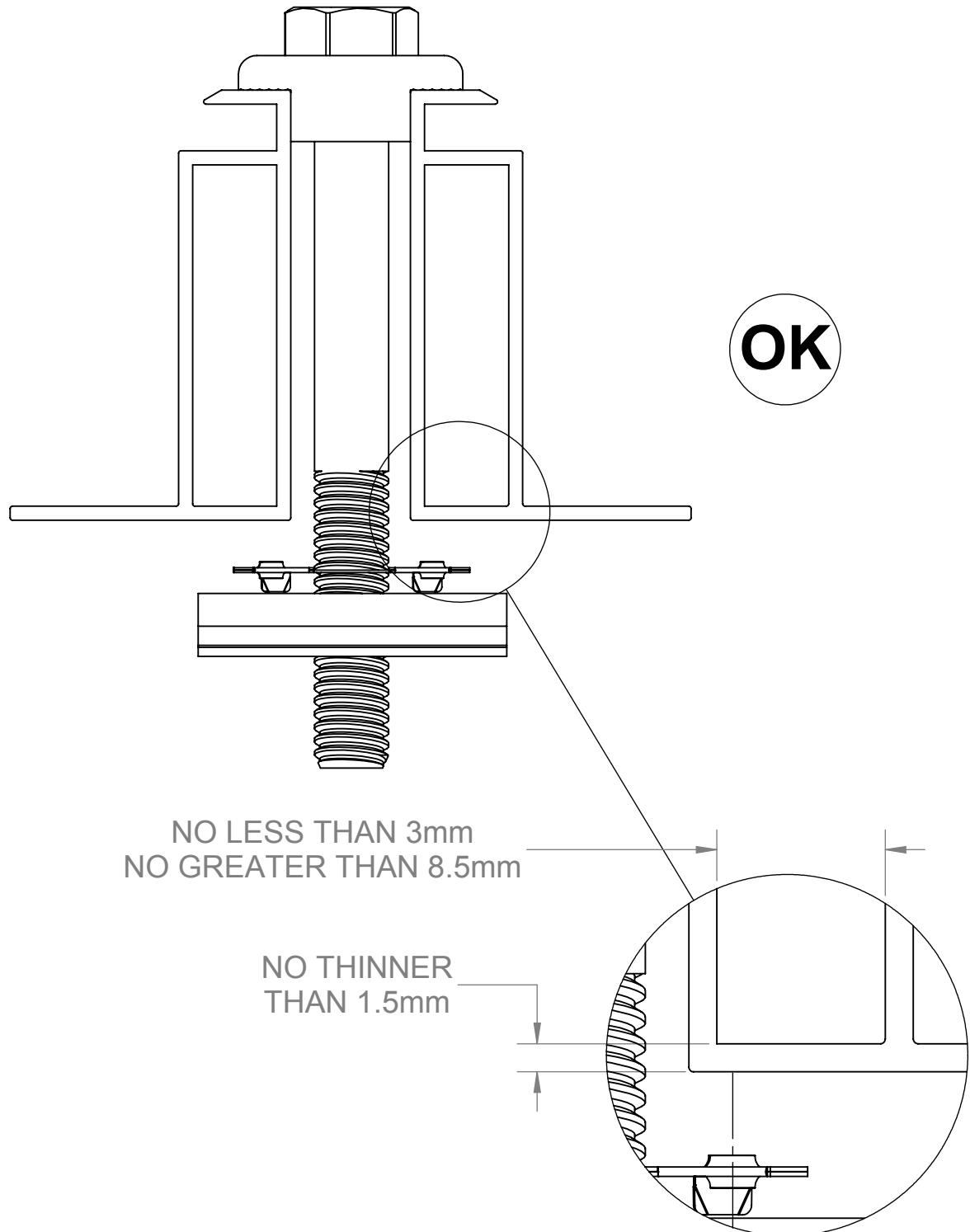
Shown here is an example of a lip that will prevent the WEEB teeth from properly penetrating the module frame. This type of frame is not compatible with the WEEB.

## Important Note:

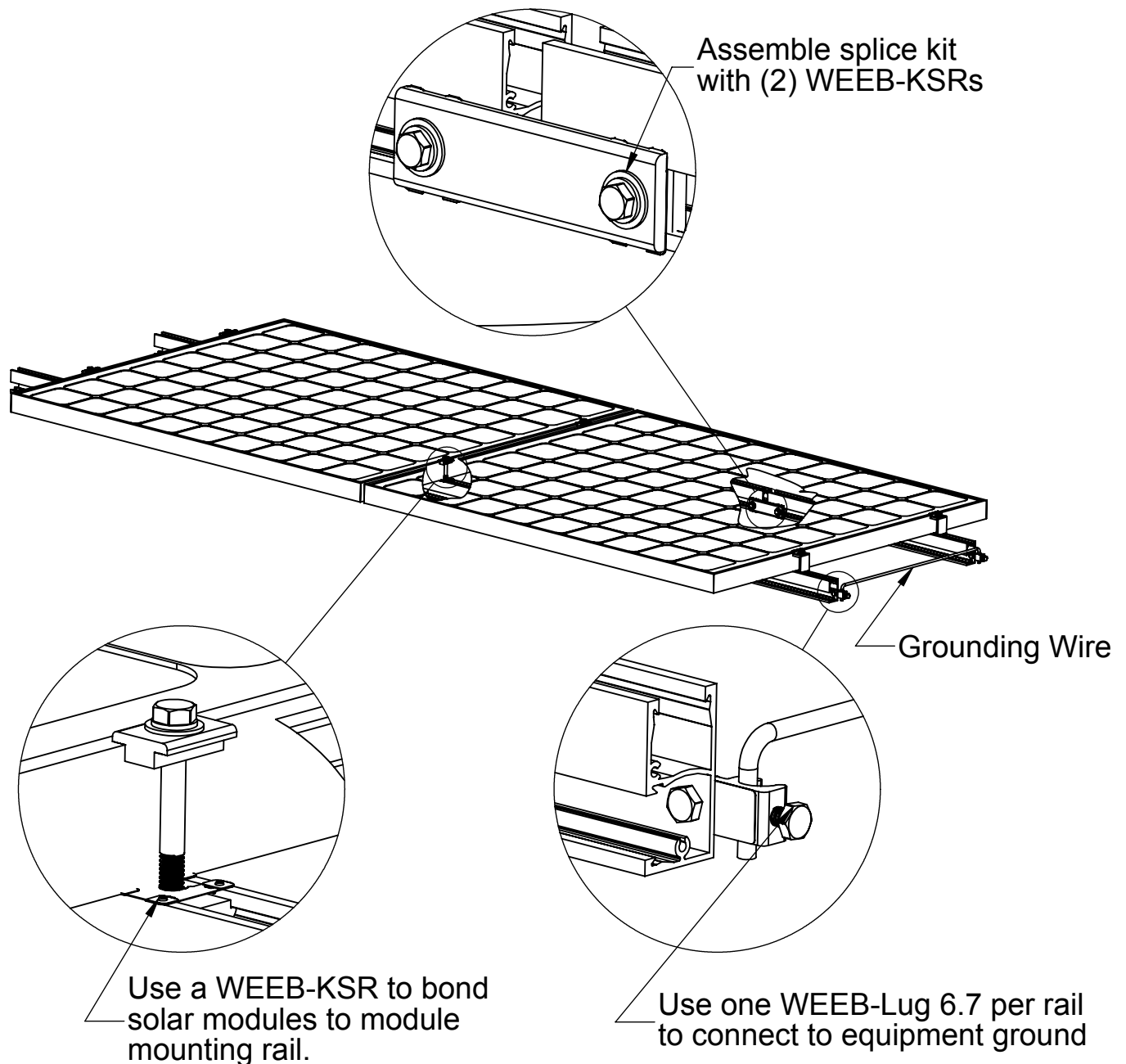
**Inspect each module frame used with a WEEB to ensure that the bottom mounting face of the frame is flat, and that there are no hinderances to embedding WEEB teeth. Do not use a module with a frame that prevents the WEEB teeth from embedding fully.**

# WEEB-KSR on Boxed Module Frames

Certain module frames do not have enough structural strength to withstand the force required to embed a WEEB. These frames will deform and therefore not allow sufficient penetration of the WEEB teeth. The general requirements for minimum module frame thickness of "boxed" type module frames are illustrated below.



# SYSTEM OVERVIEW

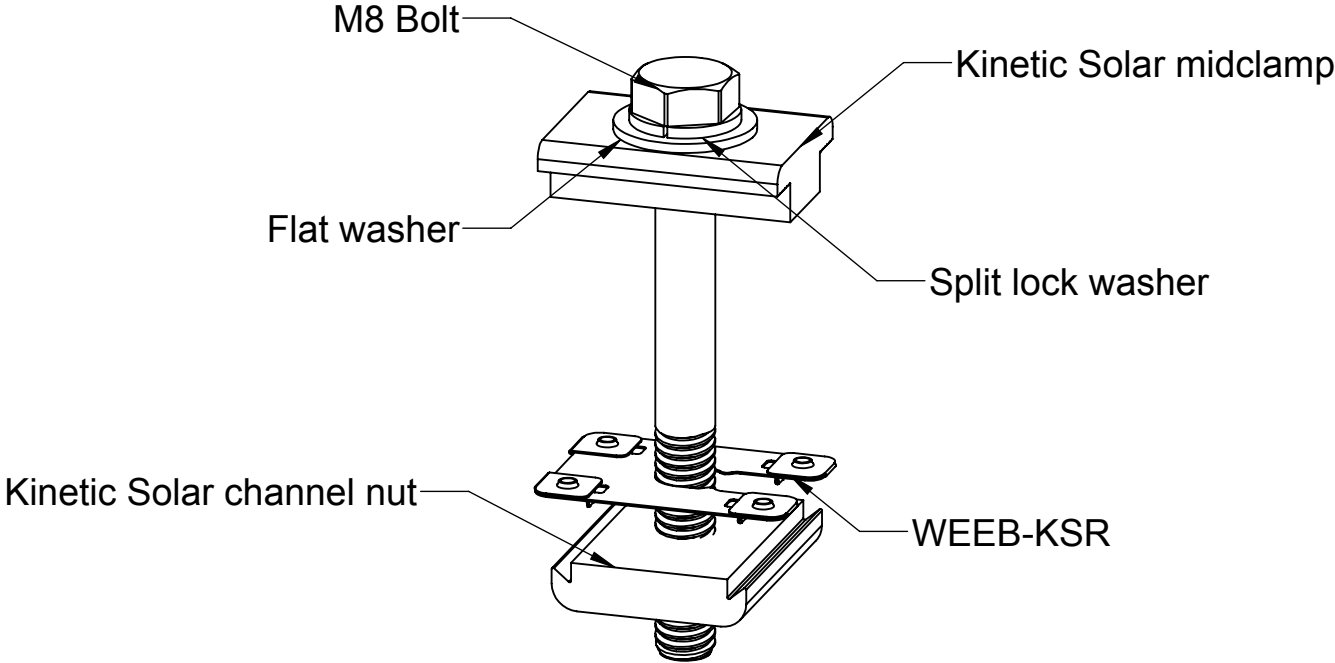


## Important notes

1. Use general purpose anti-seize compound on fastener threads when installing WEEBs.
2. The NEC section 690.43 states, "Exposed non-current carrying metal parts of module frames, equipment, and conductor enclosures shall be grounded in accordance with 250.134 or 250.136(A) regardless of voltage."
3. WEEBs are intended for **SINGLE USE ONLY**. Functionality will not be guaranteed if reused.

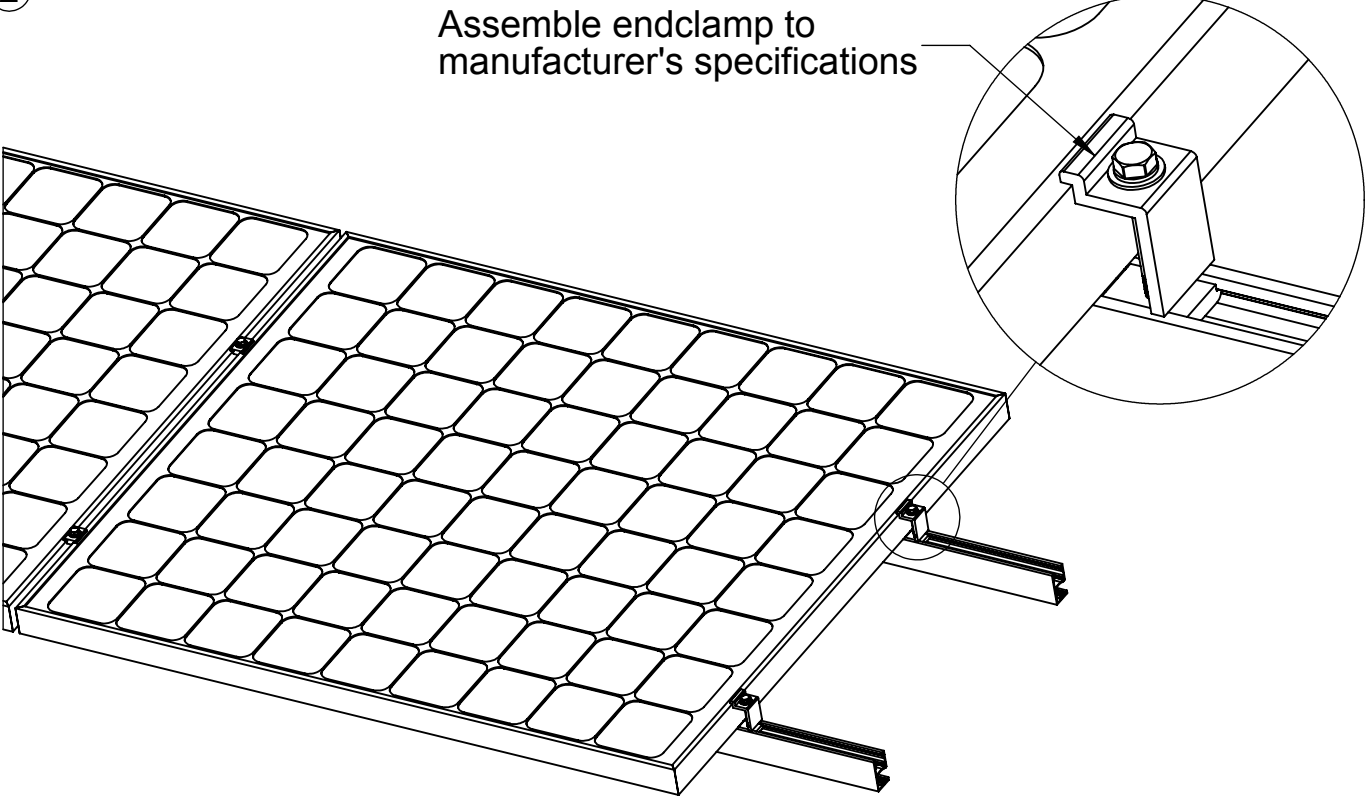
# WEEB-KSR ASSEMBLY

1



Pre-assemble WEEB-KSR to mid-clamp assembly as shown. Pre-assembling WEEB-KSR to mid-clamp assembly will contain the small individual parts, reducing the possibility of losing parts during installation.

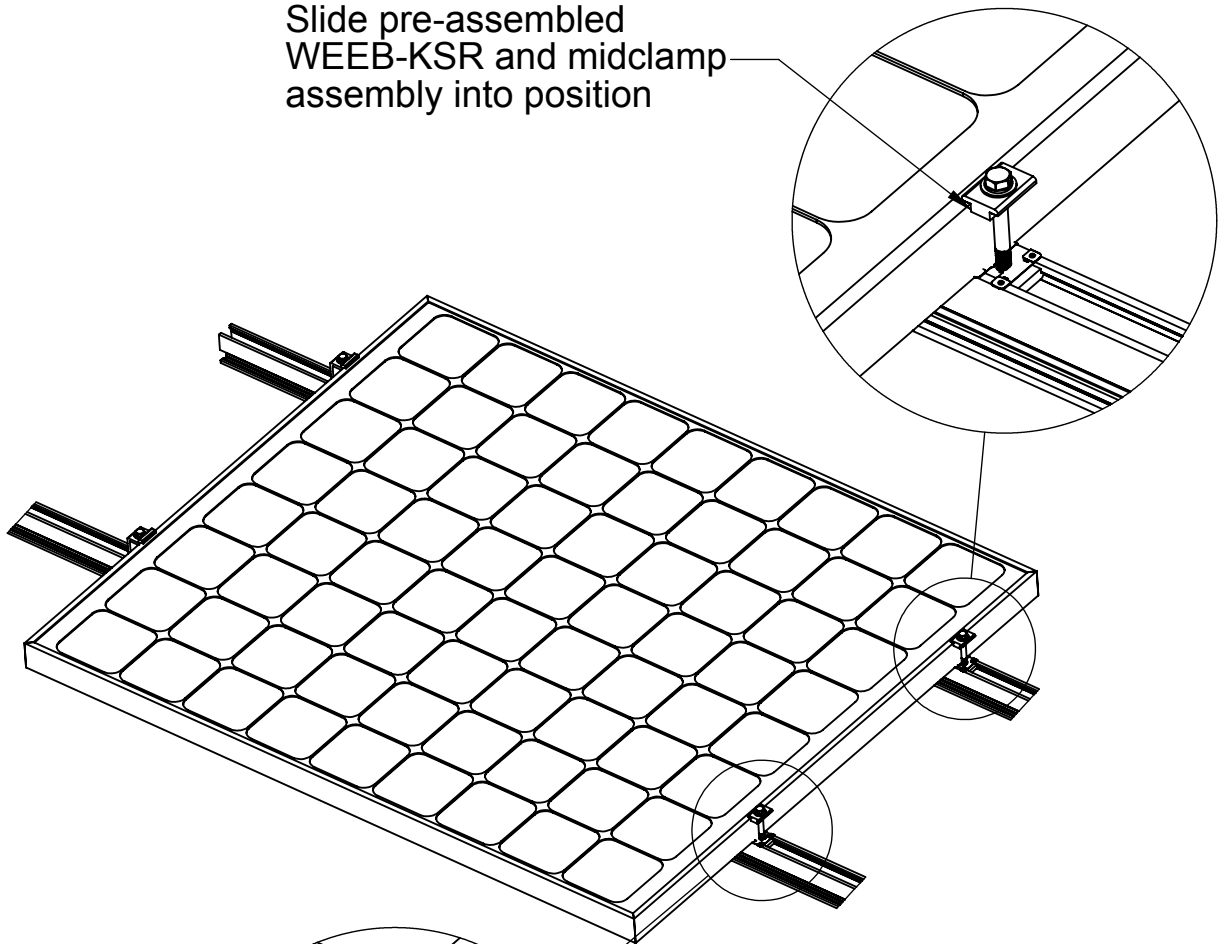
2



3

# MIDCLAMP ASSEMBLY

Slide pre-assembled  
WEEB-KSR and midclamp  
assembly into position



Slightly lift solar module and  
slide WEEB-KSR and midclamp  
assembly under the edge of the module  
when the midclamp assembly is correctly  
installed.

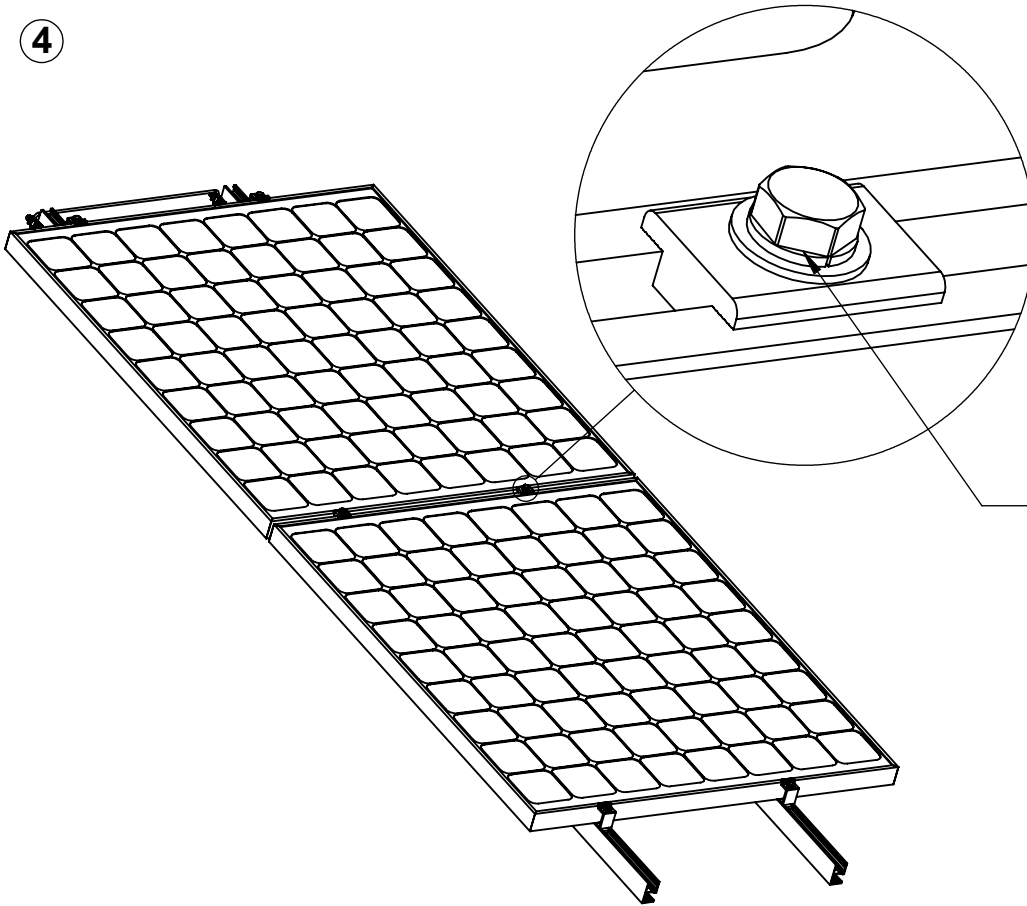
## Important note:

To correctly install WEEB-KSR, ensure that both sides of the solar modules are completely positioned against the mid-clamp. Refer to WEEB compatibility page for illustrations. Visually check that WEEBs are properly positioned.

## Important note:

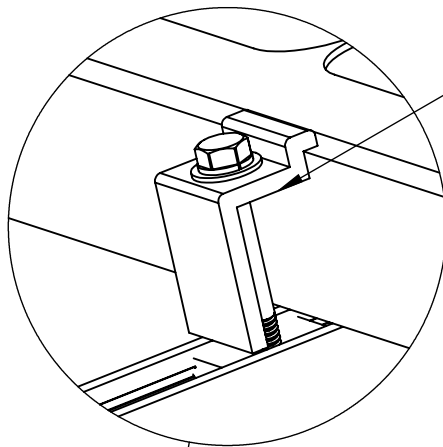
WEEBs are for **SINGLE USE ONLY!** Do not torque fasteners down if position of solar modules is not finalized. Only slightly tighten fasteners to keep modules in place.

4

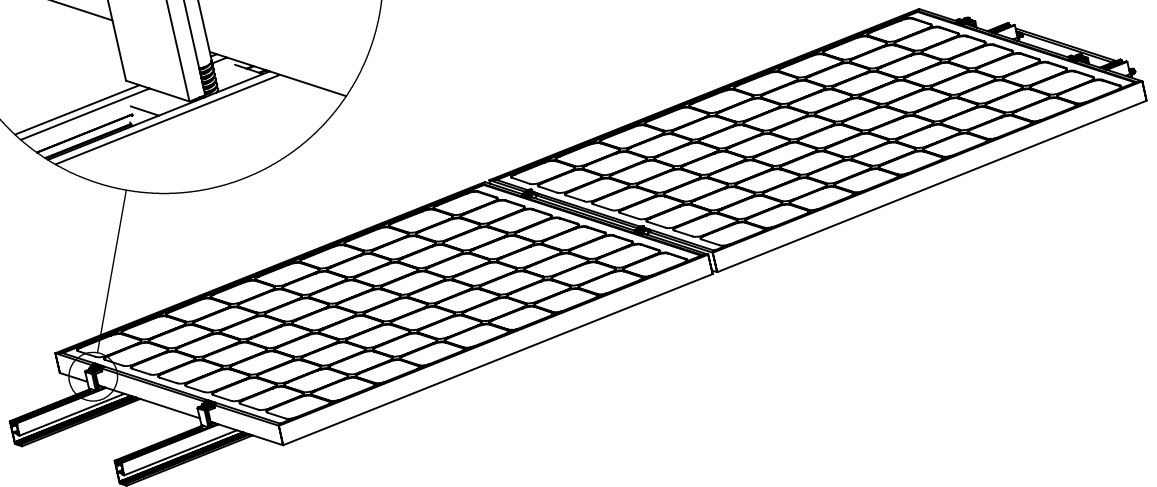


When position of solar modules are finalized, torque fasteners to 12ft-lb / 16.3N-m using general purpose anti-seize compound on threads.

5



Assemble the end clamp to manufacturer's specification.

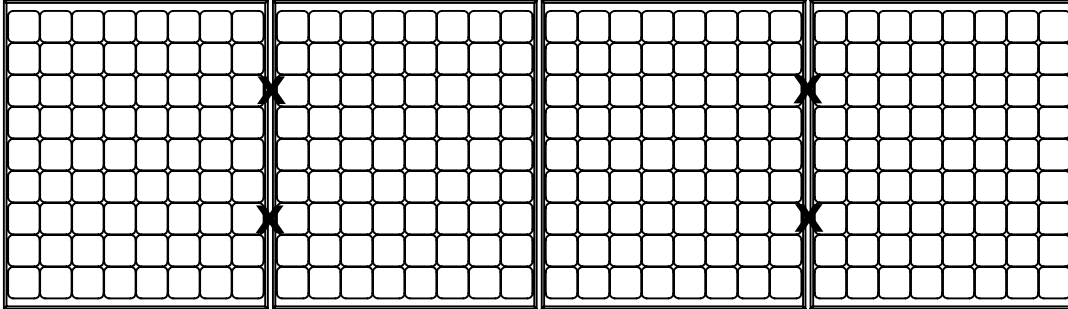




# WEEB-KSR LAYOUT

⑥

## EVEN NUMBER OF MODULES IN ROW

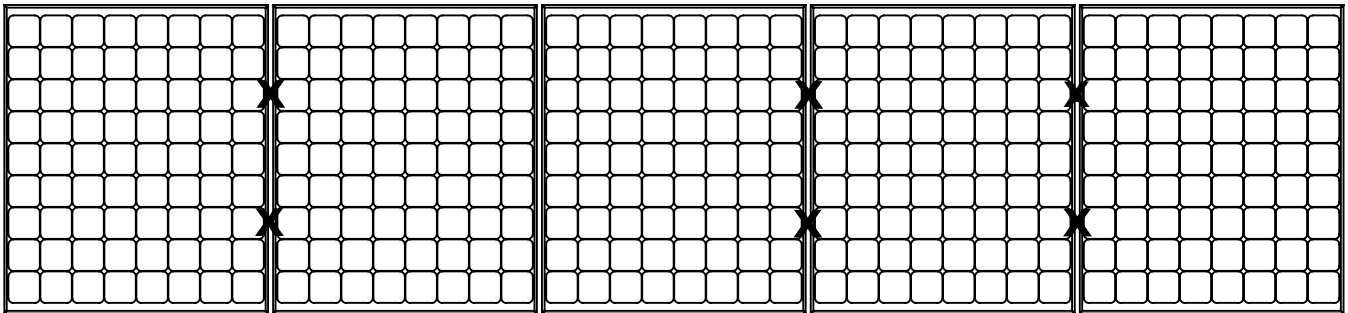


X DENOTES PLACES TO INSTALL WEEB-KSR

$$C \times R = 4 \times 1$$

$$\text{WEEB-KSR NEEDED} = C \times R = 4 \times 1 = 4$$

## ODD NUMBER OF MODULES IN ROW



X DENOTES PLACES TO INSTALL WEEB-KSR

$$C \times R = 5 \times 1$$

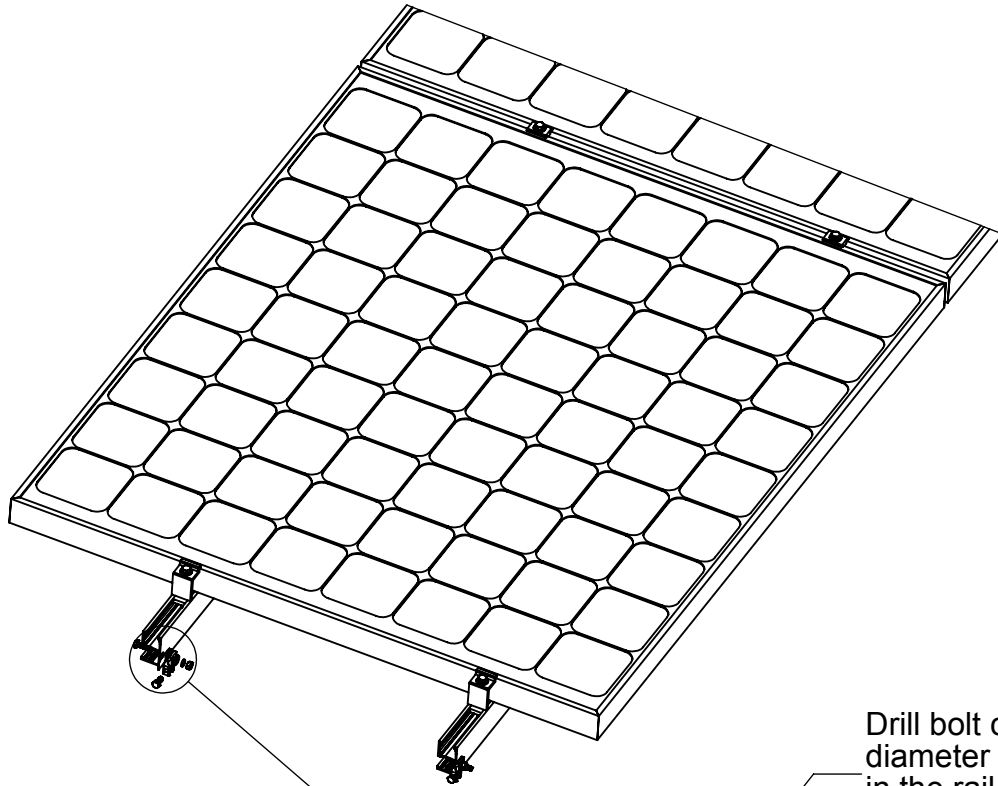
$$\text{WEEB-KSR NEEDED} = [C+1] \times R = [5+1] \times 1 = 6$$

### Note:

When replacing a single faulty module, also remove the adjacent module which contacts the same WEEBs as the faulty module. This will ensure that there are never ungrounded modules in the array.

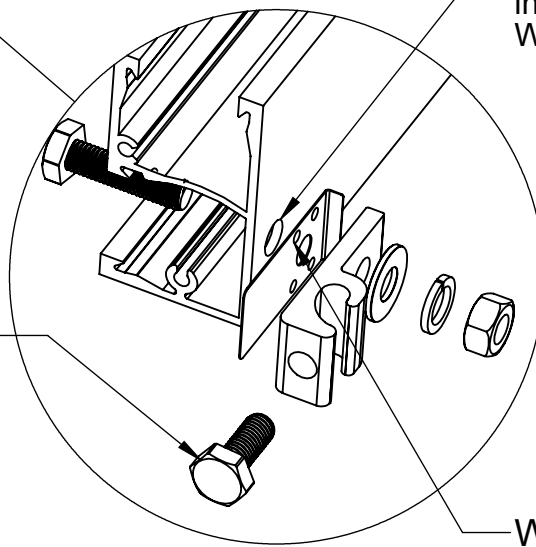
# WEEBLUG ASSEMBLY

7



Drill bolt clearance hole diameter  $17/64$ in / 7mm in the rail to mount the WEEBLUG-6.7.

Assemble WEEBLUG-6.7 assembly and tighten fasteners to 10ft-lb/13.5 N-m, using general purpose anti-seize on threads.



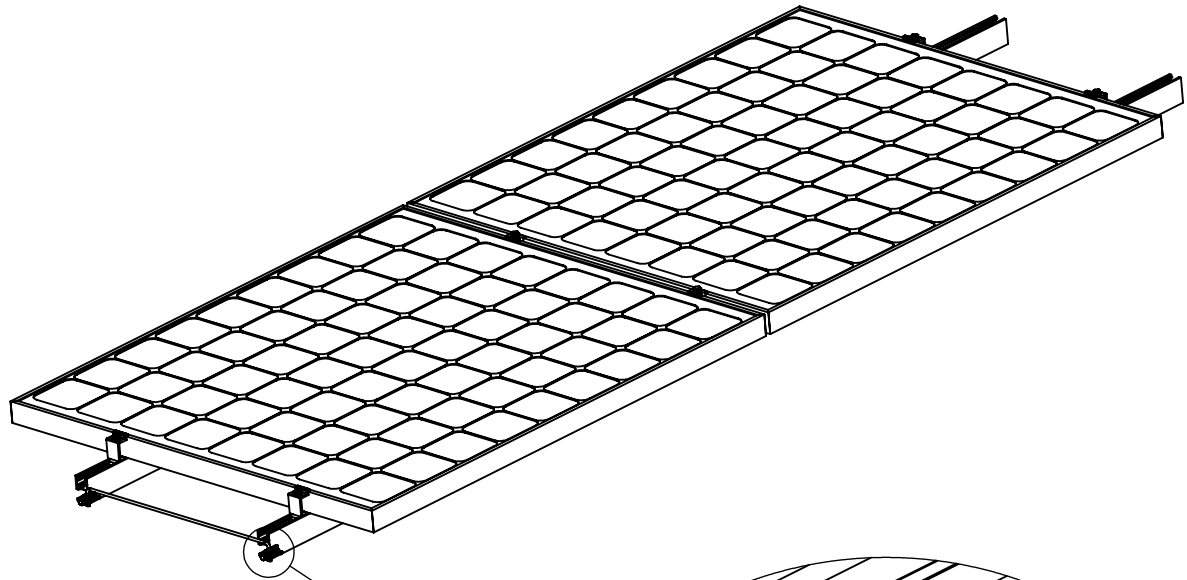
WEEB teeth toward rail

## Important note:

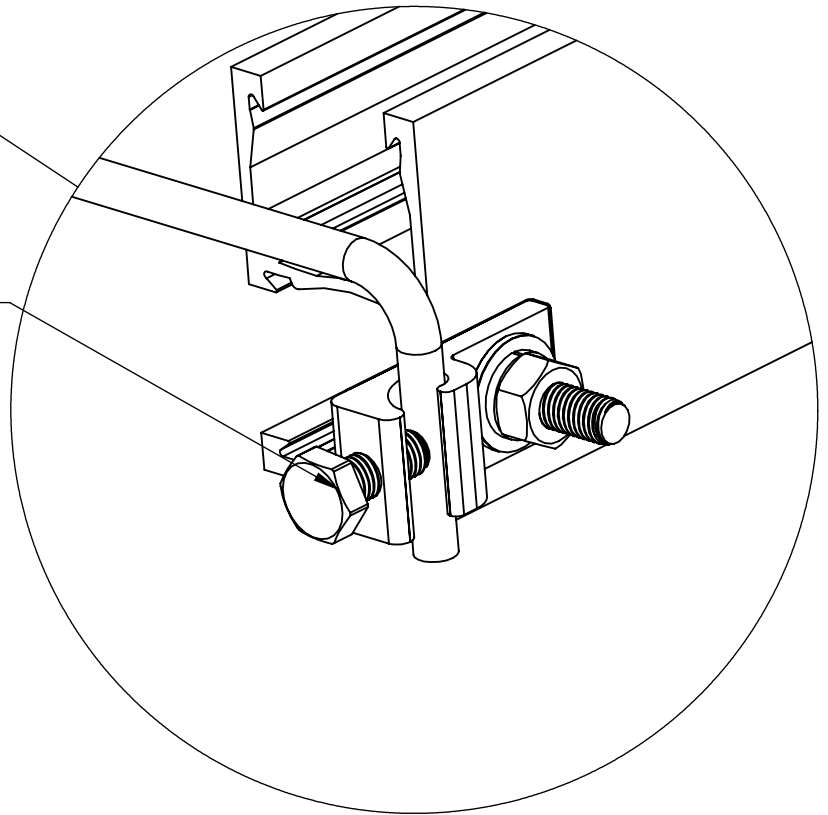
1. WEEB-6.7 that sits under the WEEBLUG is for **SINGLE USE ONLY!** Ensure position is correct before tightening.
2. The WEEBLUG-6.7 may be used with a maximum equipment ground wire of **6 AWG**.

# GROUND CONDUCTOR ASSEMBLY

8



Lay in equipment ground conductor and torque bolt to 7 ft-lb / 10 N-m.

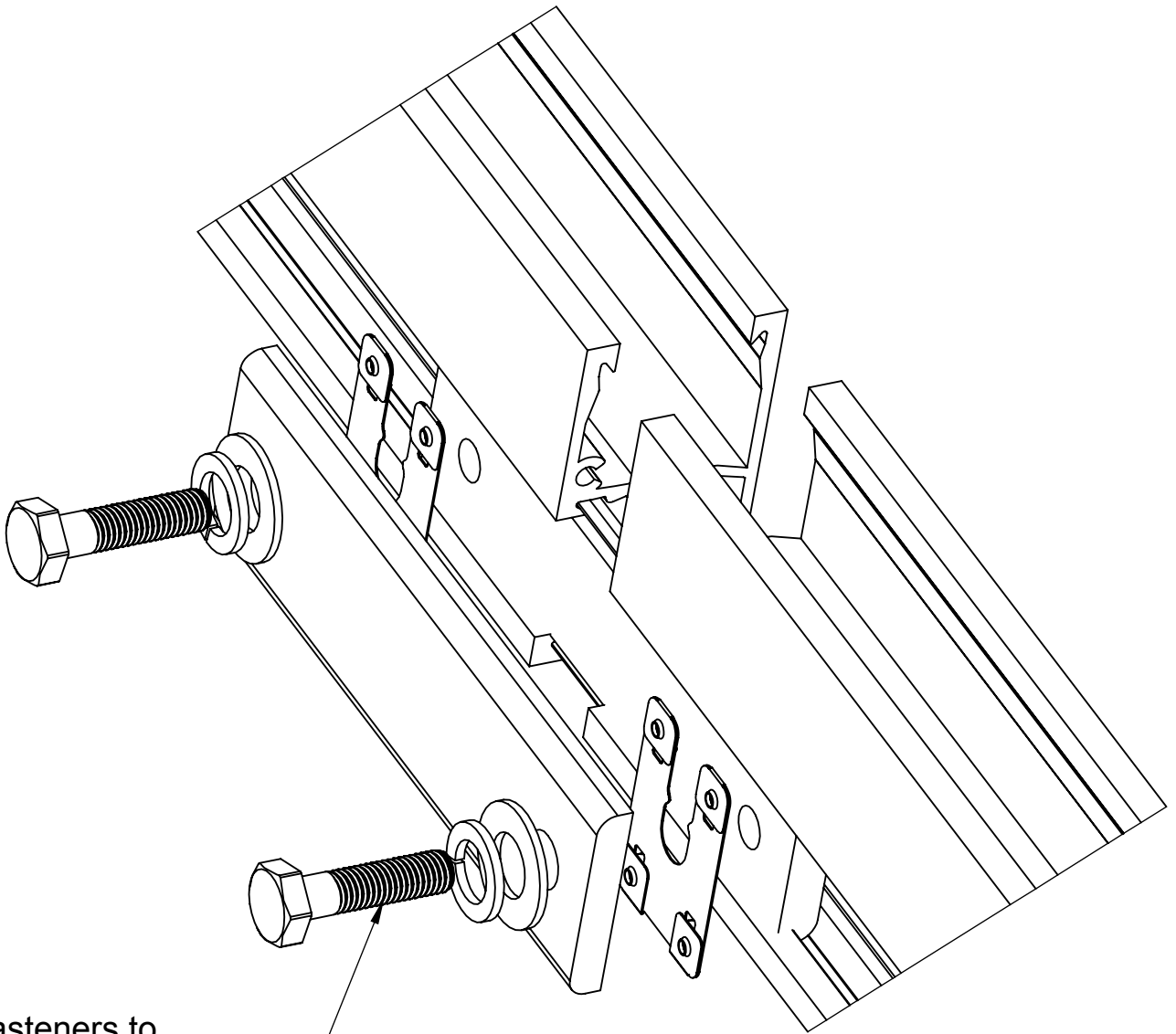


## Important note:

1. **WEEB-6.7 that sits under the WEEBLug is for SINGLE USE ONLY. Ensure position is correct before tightening down.**
2. **The may be used with a maximum equipment ground wire of 6 AWG.**

# SPLICE KIT ASSEMBLY

- ⑨ Use one (1) **WEEB-KSR** on each side of the splice in order to properly electrically bond the rails.



Torque fasteners to  
12 ft-lb / 16.3 N-m using  
general purpose anti-seize  
compound on threads