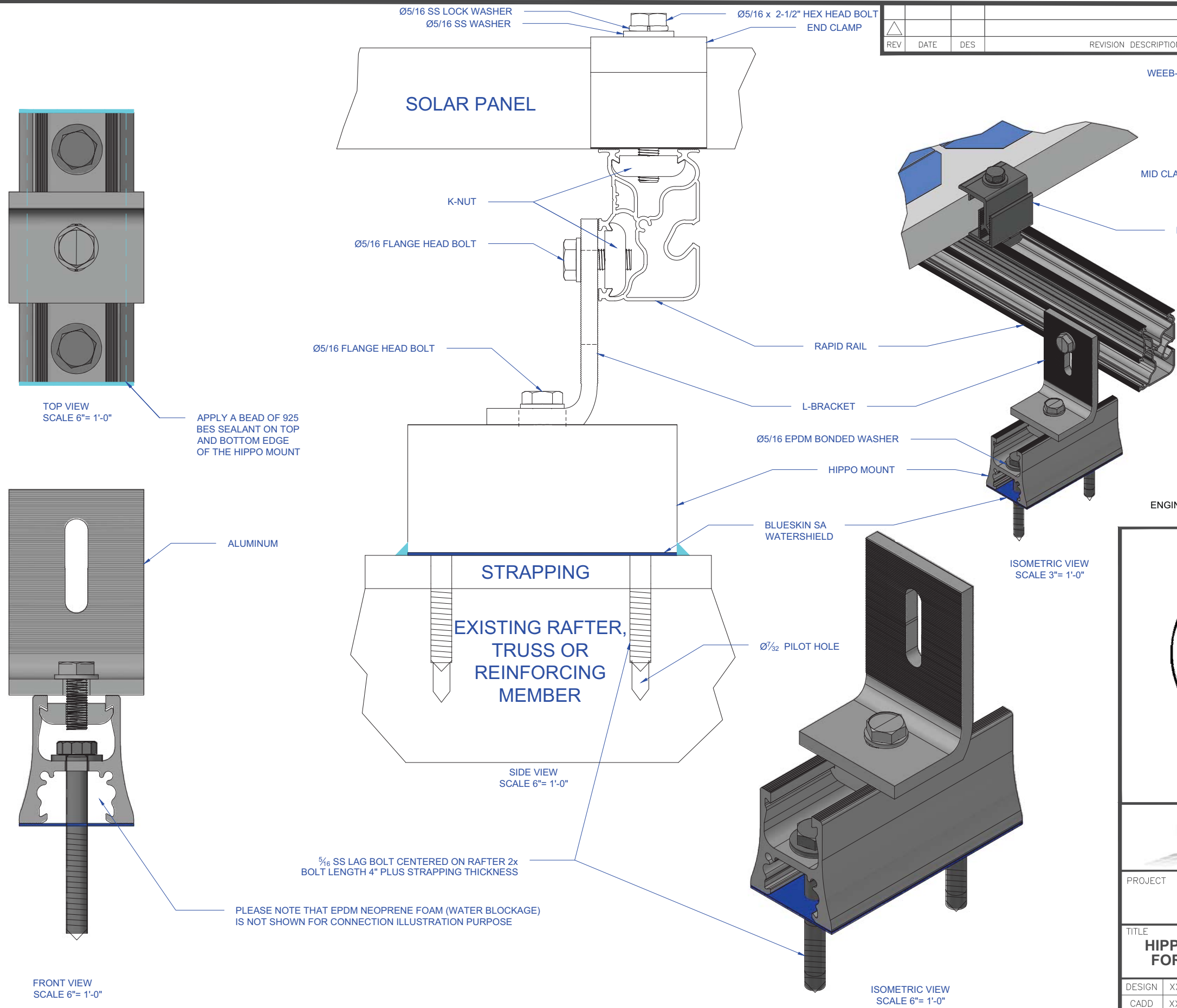
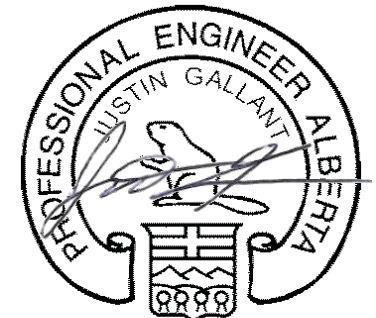


REV	DATE	DES	REVISION DESCRIPTION	CADD	CHK	RWV



ENGINEER'S SEAL BELOW IS APPLICABLE TO SOLAR RACKING ONLY.



AUGUST 24, 2016
APEGA P-13431



PROJECT
KINETIC RACKING

TITLE
HIPPO MOUNT ATTACHMENT FOR PITCHED STEEL ROOF

DESIGN	XXX	20/04/2015	FILE No.	002
CADD	XXX	02/19/2016	SCALE	AS SHOWN
REVIEW		05/19/2016	REV.	3
PROJECT No.				

DRAWING: MUSTAFA NAZARI

NOTE: THIS ASSEMBLY SKETCH IS FOR ILLUSTRATION PURPOSE ONLY. PLEASE CONTACT YOUR P.ENG FOR EXACT NUMBER OF ATTACHMENT POINTS.