

Seasonally Adjustable Ground Mount



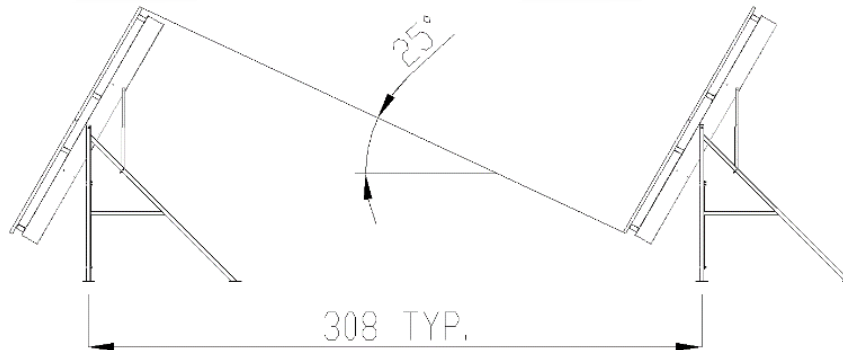
- For use with both 60 and 72 cell modules
 - Seasonally adjustable 20° | 45° | 60°
 - All steel construction
- Individually adjustable sections of 6, 8 or 10 modules
 - Snow load up to 2.5 kPa (Ground Snow Load)
 - Wind load up to 1.0 kPa (hourly base wind pressure)



Maximum Angle (60°)



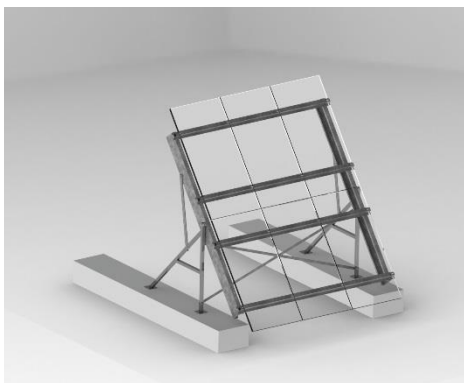
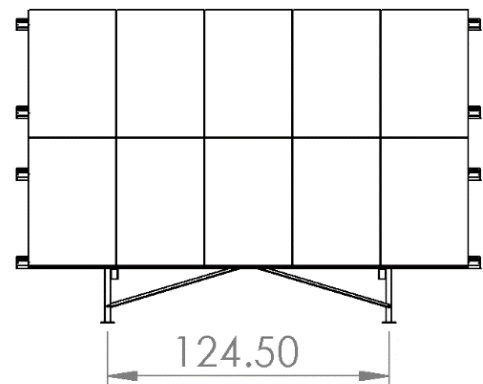
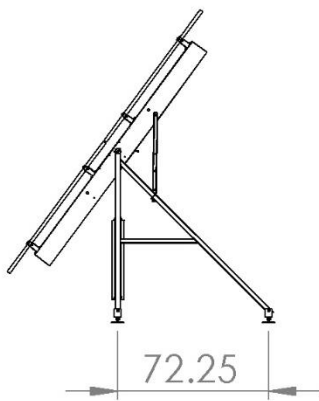
Tilted flat for easy construction (0°)



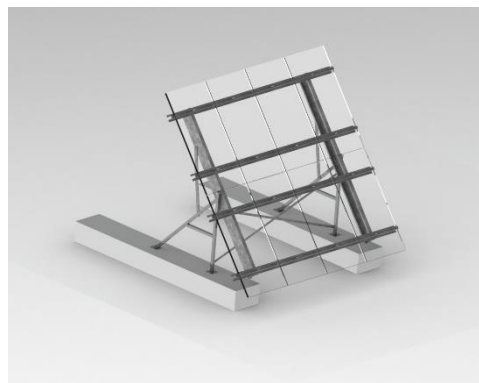
*Ballast not included

** Ballast size is site specific

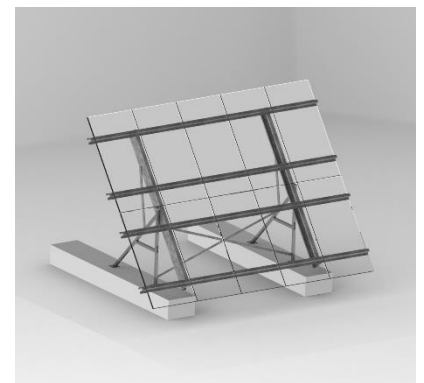
Number of Uprights	Number of Modules	Number of Tiltable Sections
2	6, 8, 10	1
3	12, 14, 16	2
4	18, 20, 22	3
5	24, 26, 28	4
6	30, 32, 34	5
7	36, 38, 40	6
8	42, 44, 46	7



6 Module



8 Module



10 Module